

Spec Review No.: SR2001005A

Date: Jan. 05, 2020

Customer:

Customer P/N:

Description: PM Pump Combiner

Optizone P/N: PMPC-(2+1)x1-97-06-1-71-71-1

Specifications

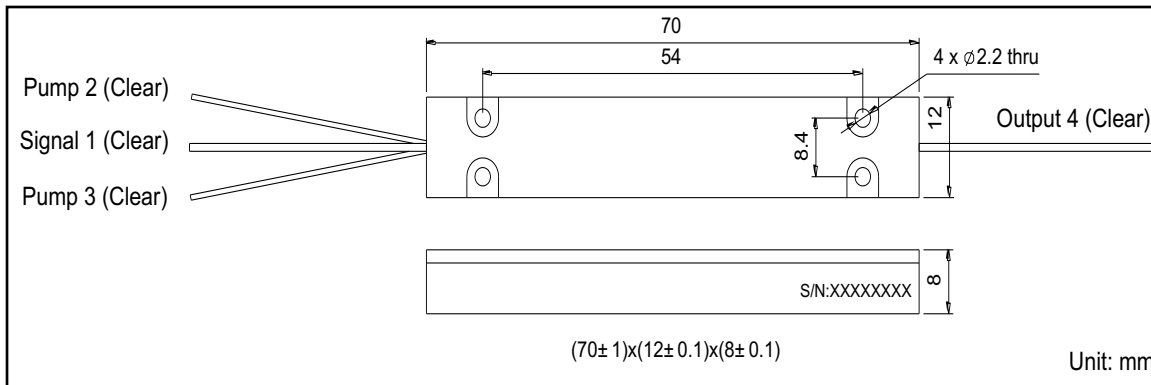
Parameters	Unit	Values
Pump Wavelength	nm	976
Signal Wavelength	nm	1060
Port Configuration	-	(2+1) x 1
Min. Pump Efficiency	%	90
Max. Insertion Loss (Signal Input to Output)	dB	0,5
Min. PER	dB	18
Min. Return Loss	dB	40
Max. Handling Power	W	10 (per Pump Port)
Max. Tensile Load	N	5
Fiber Type	Signal Input	PLMA-GDF-10/125-M Fiber
	Output	PLMA-GDF-10/125-M Fiber
	Pump	MM-S105/125-22A Fiber
Operating Temperature	°C	0 to +75
Storage Temperature	°C	-40 to +85
Package Dimensions	mm	70X12X8

*Above specifications are for device without connector.

*Ports marked with digital label.

*The material must be RoHS compliant.

Package Dimensions



Ordering Information

PMPC-①-②-③-④-⑤-⑥-⑦

①: Port Configuration
(2+1) x 1 - (2+1) x 1 Ports

②: Pump Wavelength
97 - 976nm

③: Signal Wavelength
06 - 1060nm

④: Pump Fiber
1 - MM-S105/125-22A Fiber
S - Specify

⑤: Signal Input Fiber
71 - PLMA-GDF-10/125-M Fiber
S - Specify

⑥: Output Fiber
71 - PLMA-GDF-10/125-M Fiber

⑦: Fiber Length
1 - 1.0 m
S - Specify